

Amer'n[®]

RIVAL SERIES



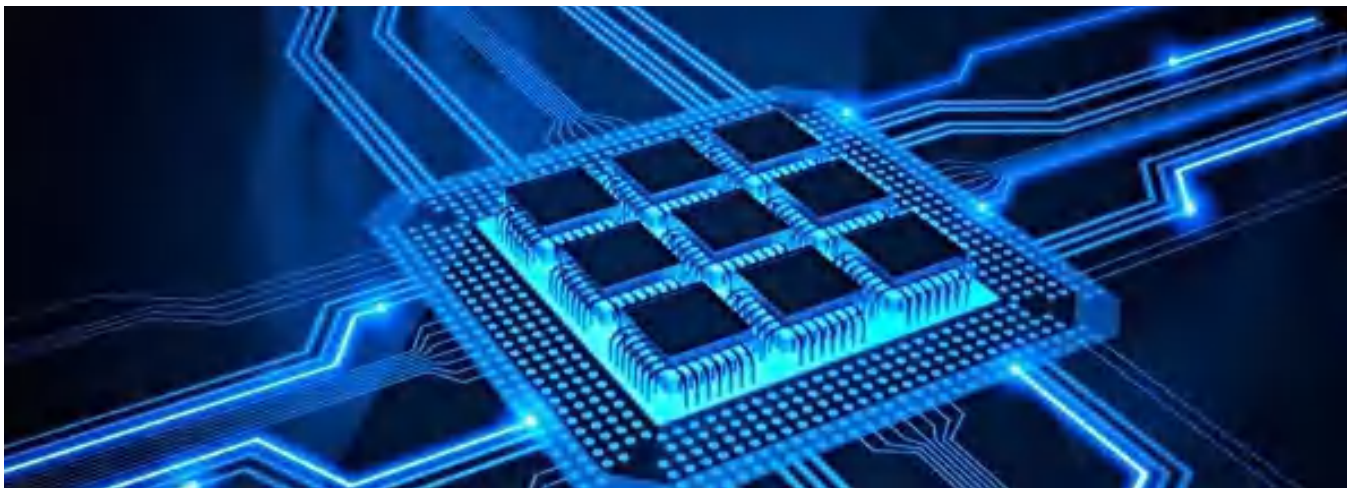
AN-SSL-I

Split type solar street light

CE (RoHS) P65 IK10

INTRODUCTION

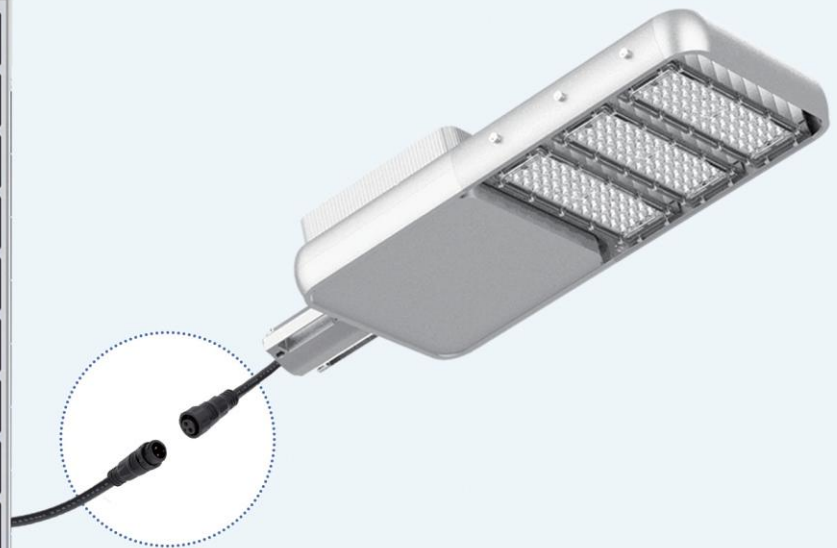
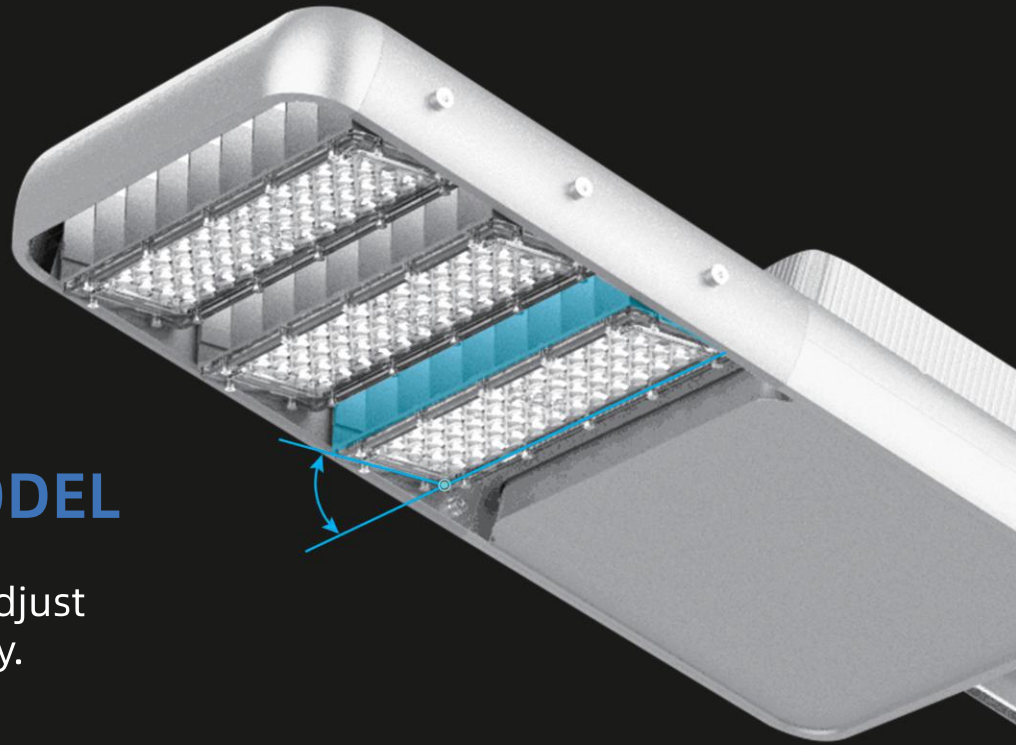
- 01 PART ONE
PRODUCT ADVANTAGE
- 02 PART TWO
SPECIFICATIONS
- 03 PART THREE
OPTICAL FEATURE
- 04 PART FOUR
DIMENSION FIGURE
- 05 PART FIVE
DETAIL
- 06 PART SIX
PACKAGE DETAIL



01 PART ONE PRODUCT ADVANTAGE

ADJUSTABLE ANGLE LED MODEL

Each LED module can adjust the angle independently.



EASY TO INSTALL

It take only one step to light up.

01 PART ONE PRODUCT ADVANTAGE



WATERPROOF CONNECTOR

IP65 waterproof cable.

SUPER BIG BATTERY BOX

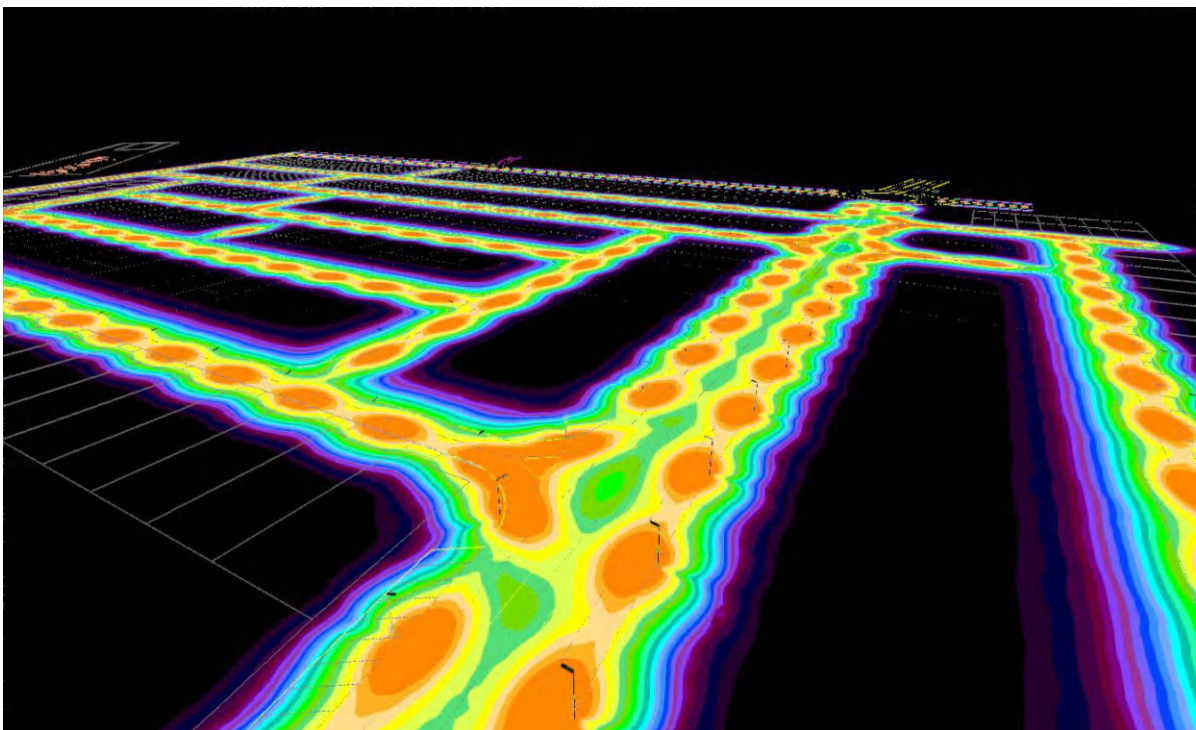
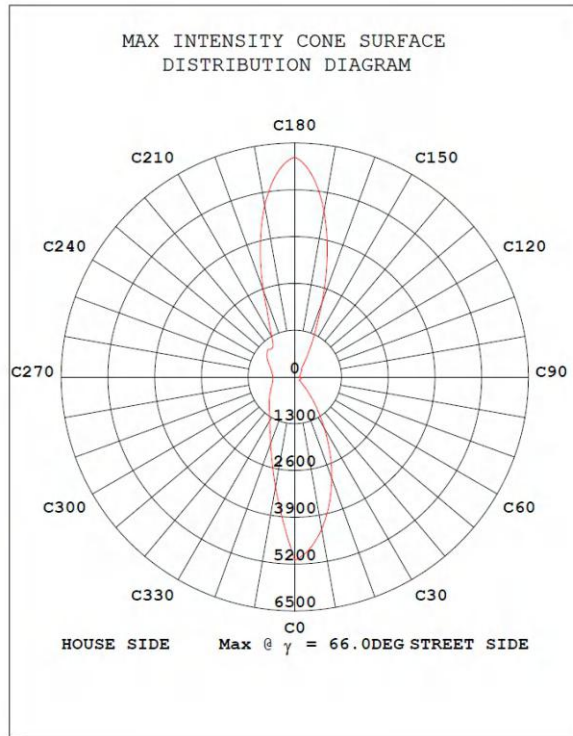
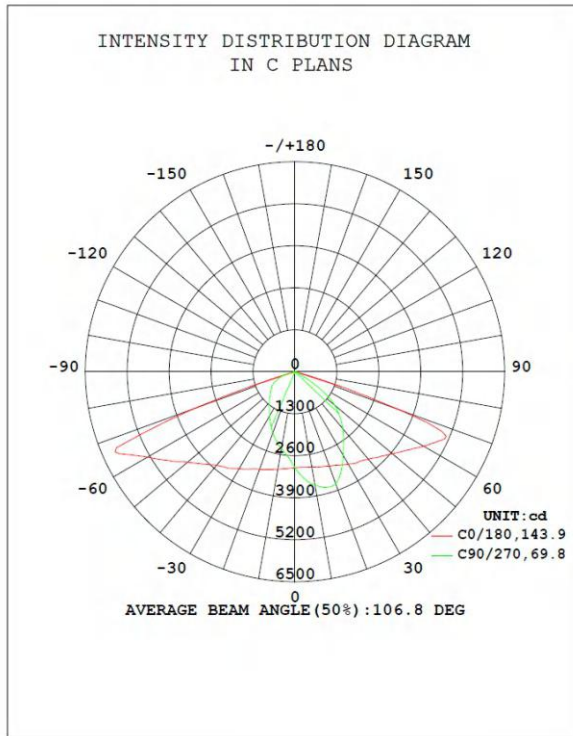
Built in large capacity
LiFePo4 battery.



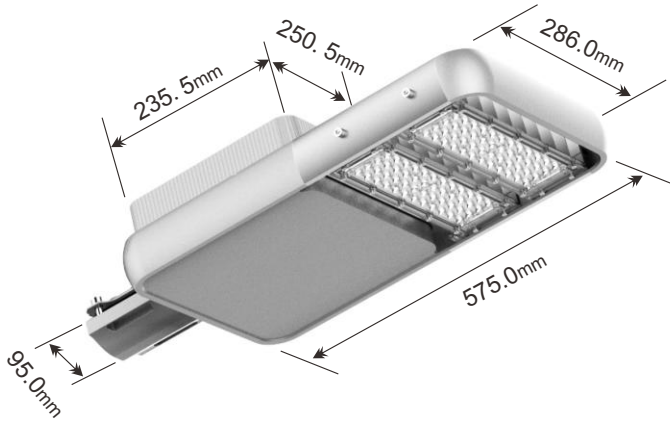
02 PART TWO SPECIFICATIONS

Model	AN-SSL-I					
Power	30W	50W	60W	80W	100W	120W
LED	96pcs 3030	144pcs 3030	144pcs 3030	192pcs 3030	240pcs 3030	240pcs 3030
Luminous Flux	170lm/w					
LiFePO4 Battery	12.8V/24AH	12.8V/36AH	12.8V/42AH	12.8V/57AH	12.8V/63AH	12.8V/72AH
Mono Solar Panel	18V40W	18V65W	18V80W	18V100W	18V150W	18V200W
Solar Charging Time	6-8 hours by bright sunlight					
Lighting Time In Rainy Day	5-7 days					
Lighting Mode	3hrs 100%+2hrs 80%+7hrs 25% Can be customized based on customer needs					
Material	Aluminium alloy + PMMA					
IP/IK Class	IP 65 / IK 10					
Work Temperature	-25°C to 65°C					
Install Height	4-6m	6-8m	7-9m	8-10m	9-12m	10-12m

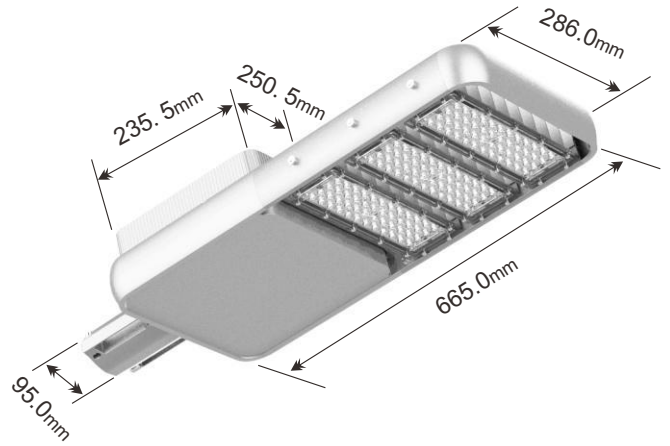
03 PART THREE OPTICAL FEATURE



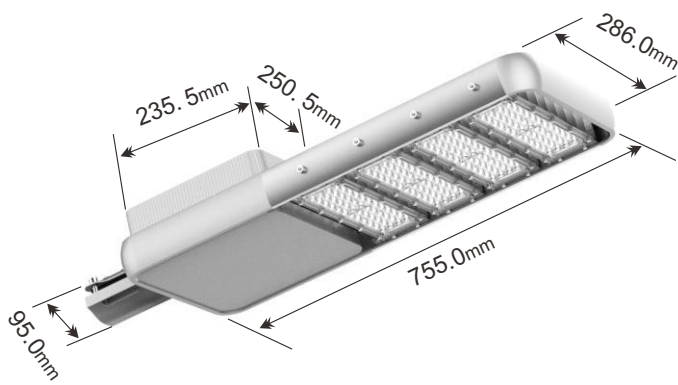
04 PART FOUR DIMENSION FIGURE



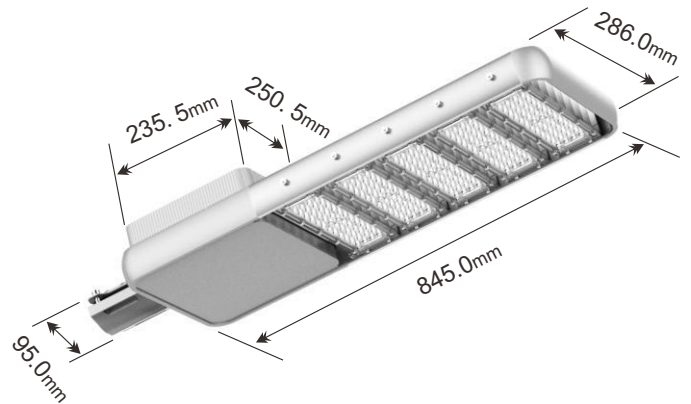
AN-SSL-I 30-40W



AN-SSL-I 50-60W

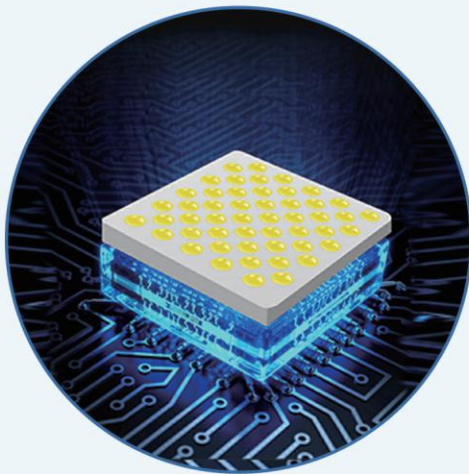
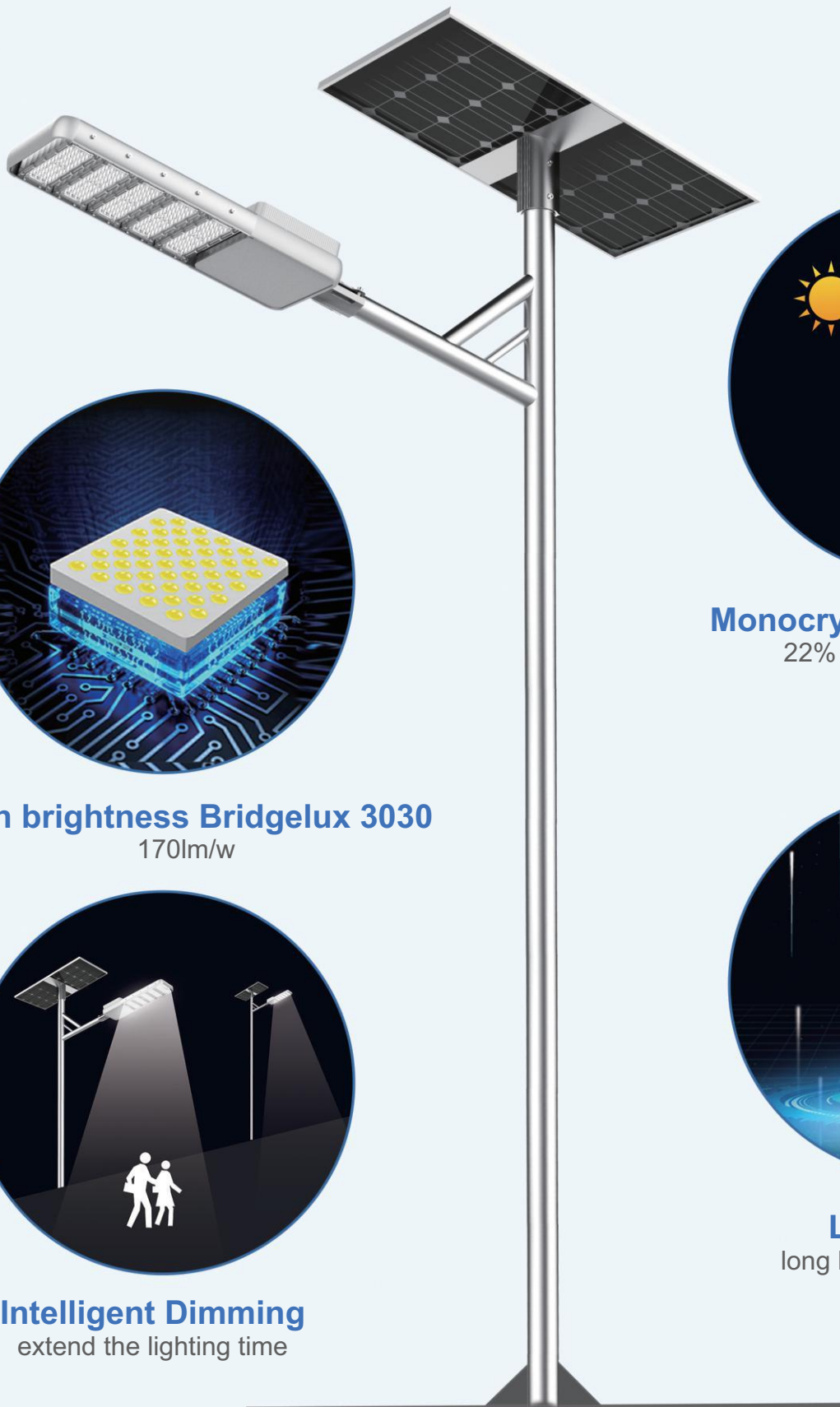


AN-SSL-I 80W



AN-SSL-I 100-120W

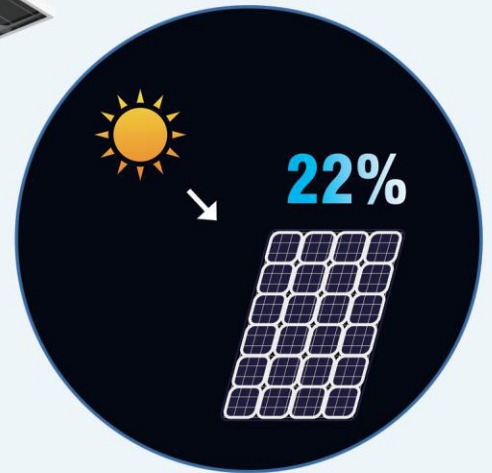
05 PART FIVE DETAIL



High brightness Bridgelux 3030
170lm/w



Intelligent Dimming
extend the lighting time



Monocrystalline solar panels
22% conversion efficiency



LiFePo4 Battery
long lifespan and big capacity

05 PART FIVE
DETAIL



A N E R N / S T R E E T / L I G H T

*A*merⁿ

THANKS
VERY
MUCH